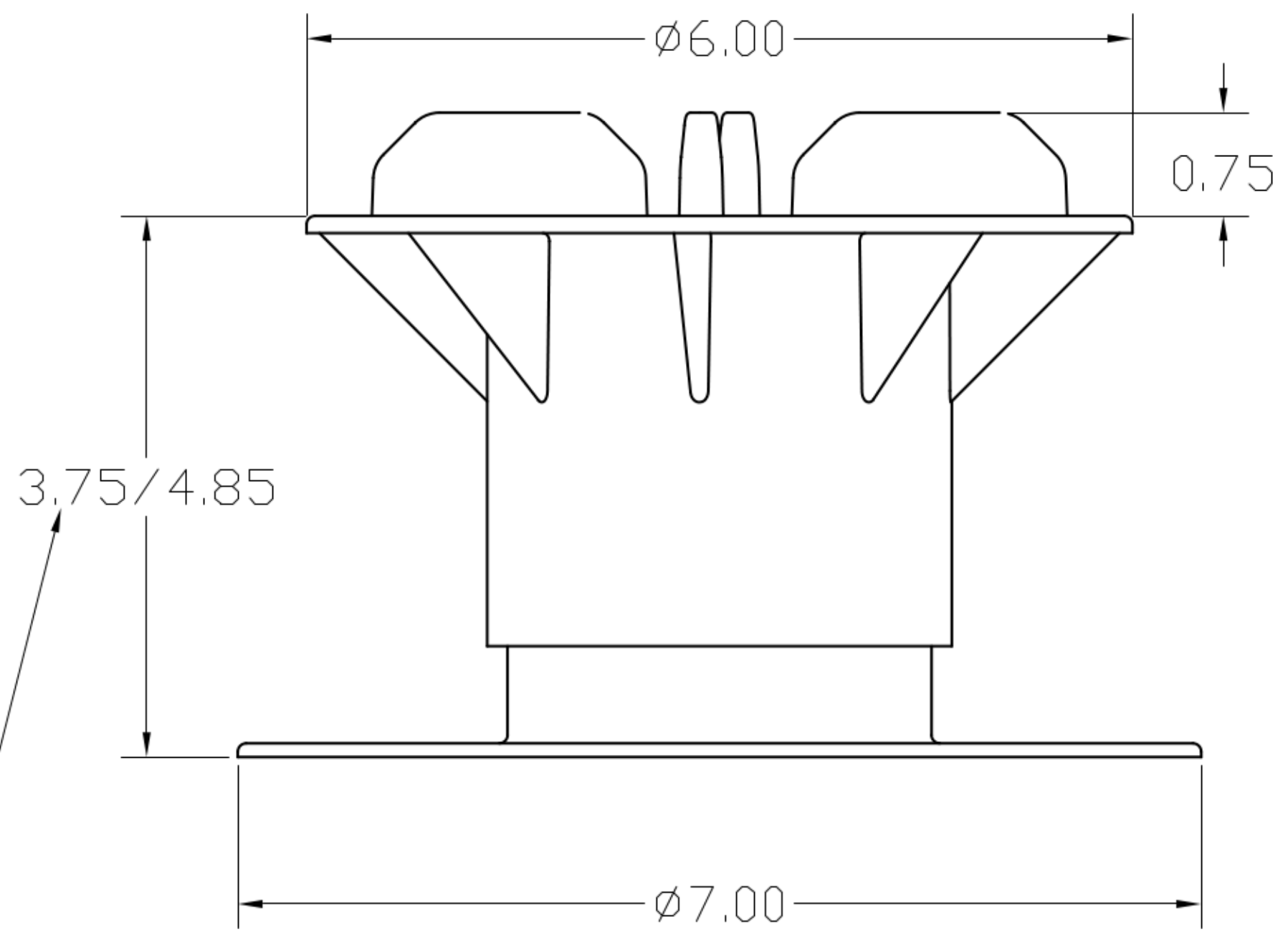
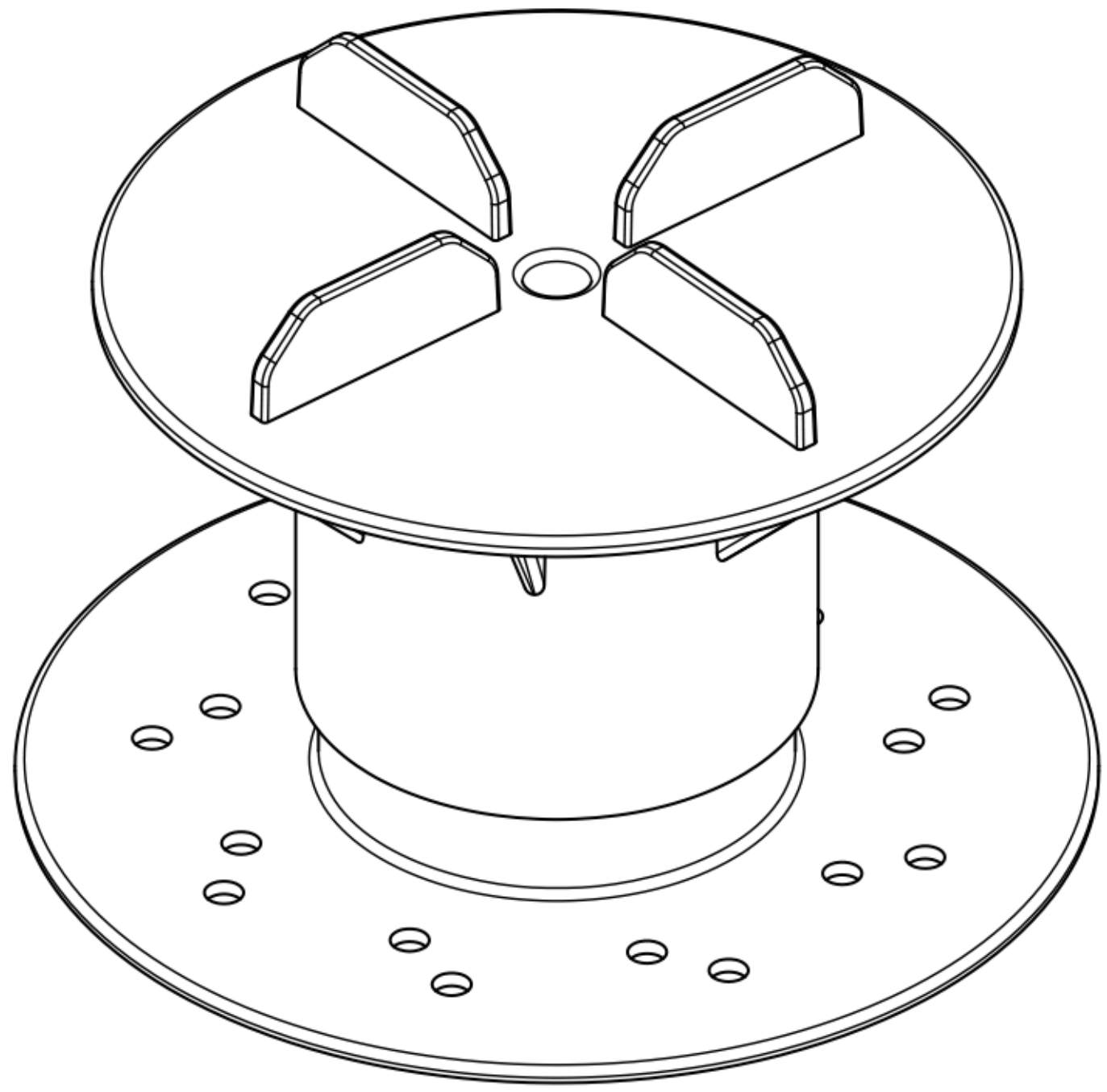


REVISIONS				
ZONE	REV	DESCRIPTION	DATE	APPROVED
A1	C	Updated Address	12/8/17	OP



Adjustable



FILE NAME 2005	5519 E Cork Street		
CONTRACT NO KnuckleHeads	Kalamazoo Michigan 49048 USA		
DRAWN 12/5/2017	(269)743-3368 (888) 672-9897		
CHECK OP	Paver KnuckleHead		
APPR.			
ISSUED 8/1/2017			
Reinforced Nylon	SIZE	FSCM NO	DWG NO
		-	2005 Paver Assembly [B] Knucklehead Paver Assy.dwg
	SCALE 1:1	WEIGHT	REV C
			SHEET 12